

**Automatic air powered riveter specially designed to perform common riveting tasks in modern bodysshops including self-piercing rivets and standard flow form rivets.**

## ACCURATE SETTINGS

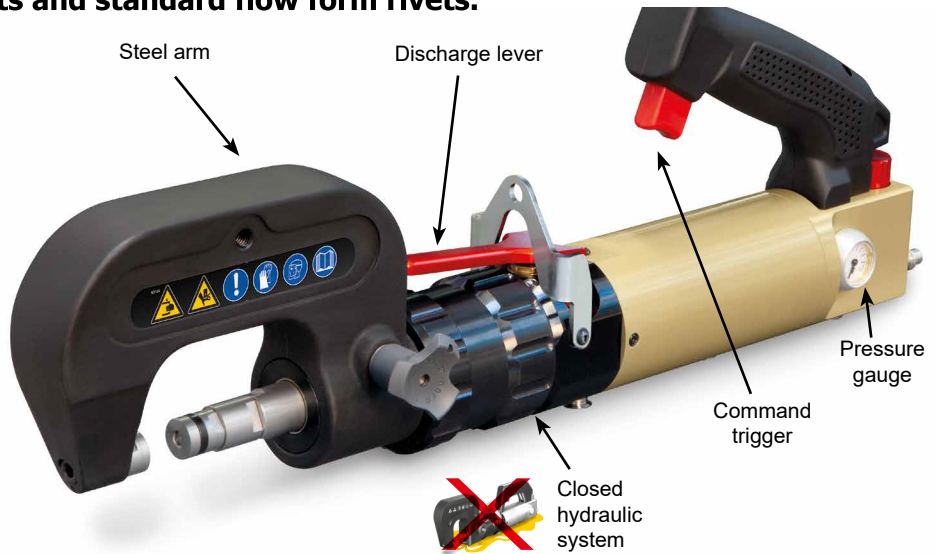
The user can manually adjust the **actuator speed** as well as **rivet pressure** according to the metal used in order to avoid panel distortion.



Speed control



Pressure control  
0 > 6.5 bar



## ERGONOMIC AND EFFICIENT

- Maximum pressure of **10 tonnes** with integrated pressure gauge. **Fast and easy** arm change.
- C-arm **swivels 360°** around the riveting machine axle.
- Selection of arms available for **difficult access situations**.
- Easy to use **ergonomic handle and trigger**.
- **Magnetic die** makes rivet positioning easy.

### Delivered with :

- 2 die keys
- 1 strap
- 1 arm HR110
- 1 handle for arm
- 1 box of rivets



1 standard die kit for extraction and rivet positioning

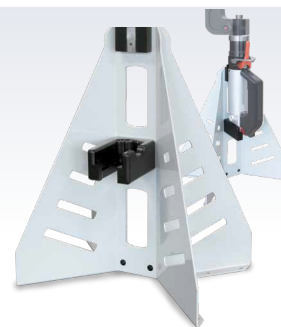
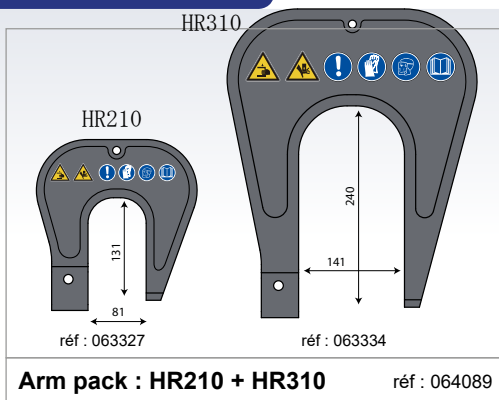
+ Centre punch :

- self-piercing ( $\varnothing$  3.3 et 5.3 mm)
- flow-form ( $\varnothing$  5.6 mm)

## ACCESSORIES



HR110 arm  
réf : 063310



Support  
réf : 054158



GYPRESS 8T  
Workstation  
réf : 054233

				HR110	HR210	HR310	Cycle time	AIR BAR
							4 sec	normal 6.5 maxi 10
39.5 x 180 cm	58 x 48 x 15 cm	11.8 kg	4 kg	3 kg	5.4 kg	12 kg		