

MULTIBENCH



 **SPANESI**®



2



3

Lift

The Multibench is a structural repair workstation that allows you to lift the vehicle directly from the wheels without utilizing lifting buffers.

It has a 3200kg load capacity, making it ideal for repairing heavier vehicles such as mid-size pickup trucks, SUVs, 4x4s and commercial vans.

With a small footprint, the Multibench requires very little space in the body shop; thanks to low-profile platforms (only 35mm tall), it allows quick and easy loading of vehicles, even sports cars with minimal ground clearances.





4

5

Repair

Small, medium, and large damage. The Multibench is engineered to be highly resilient and, thanks to 10 Tons of pulling force, also lends itself to performing consistently during very demanding damage repairs.

The pulling column pivots to cover the entire vehicle's surface. It allows you to pull from multiple directions, without any loss of pulling energy and in complete safety for the technician.

Adjustable clamps adapt to the underbody height of vehicles mechanically.





6

7

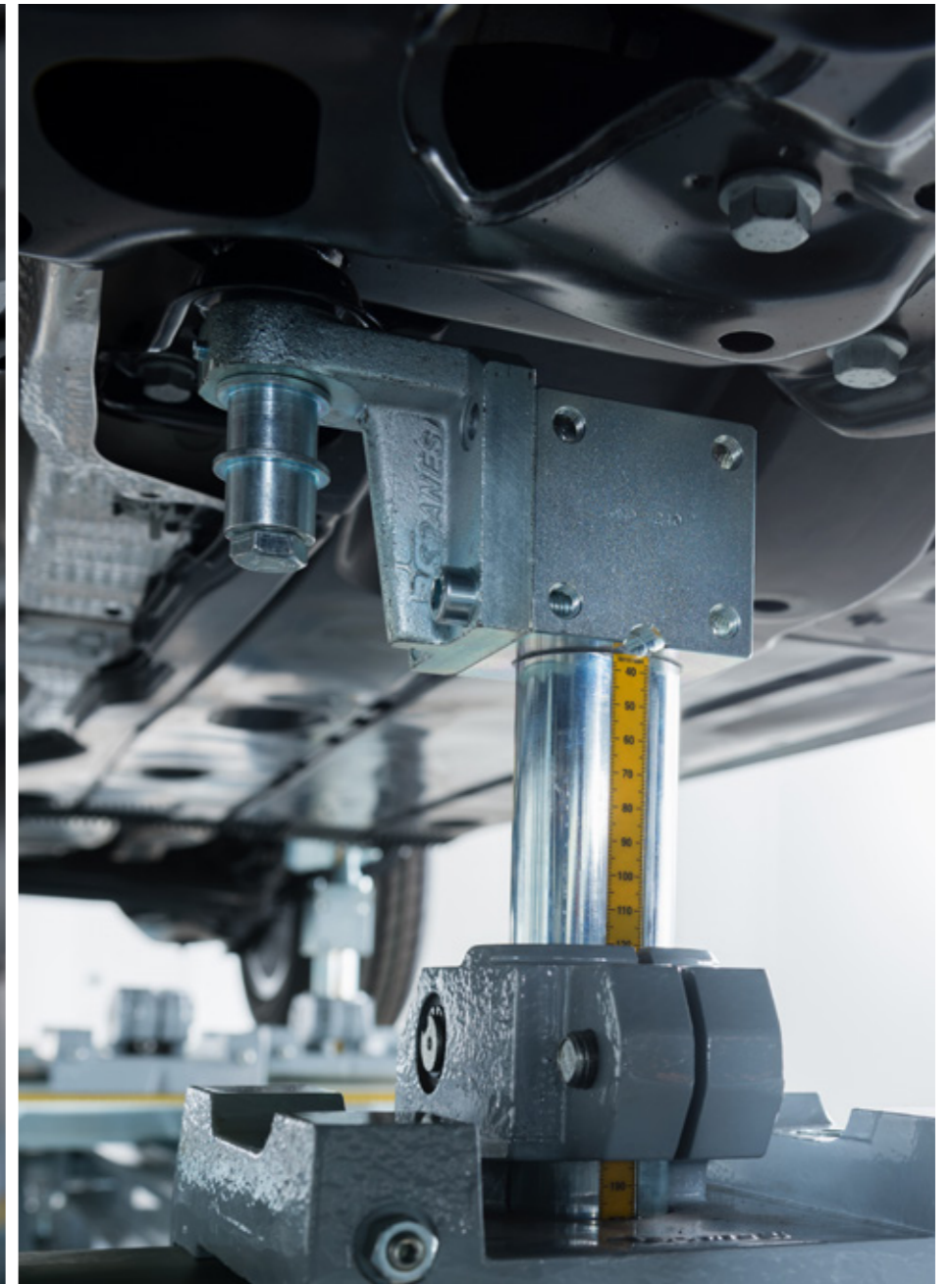
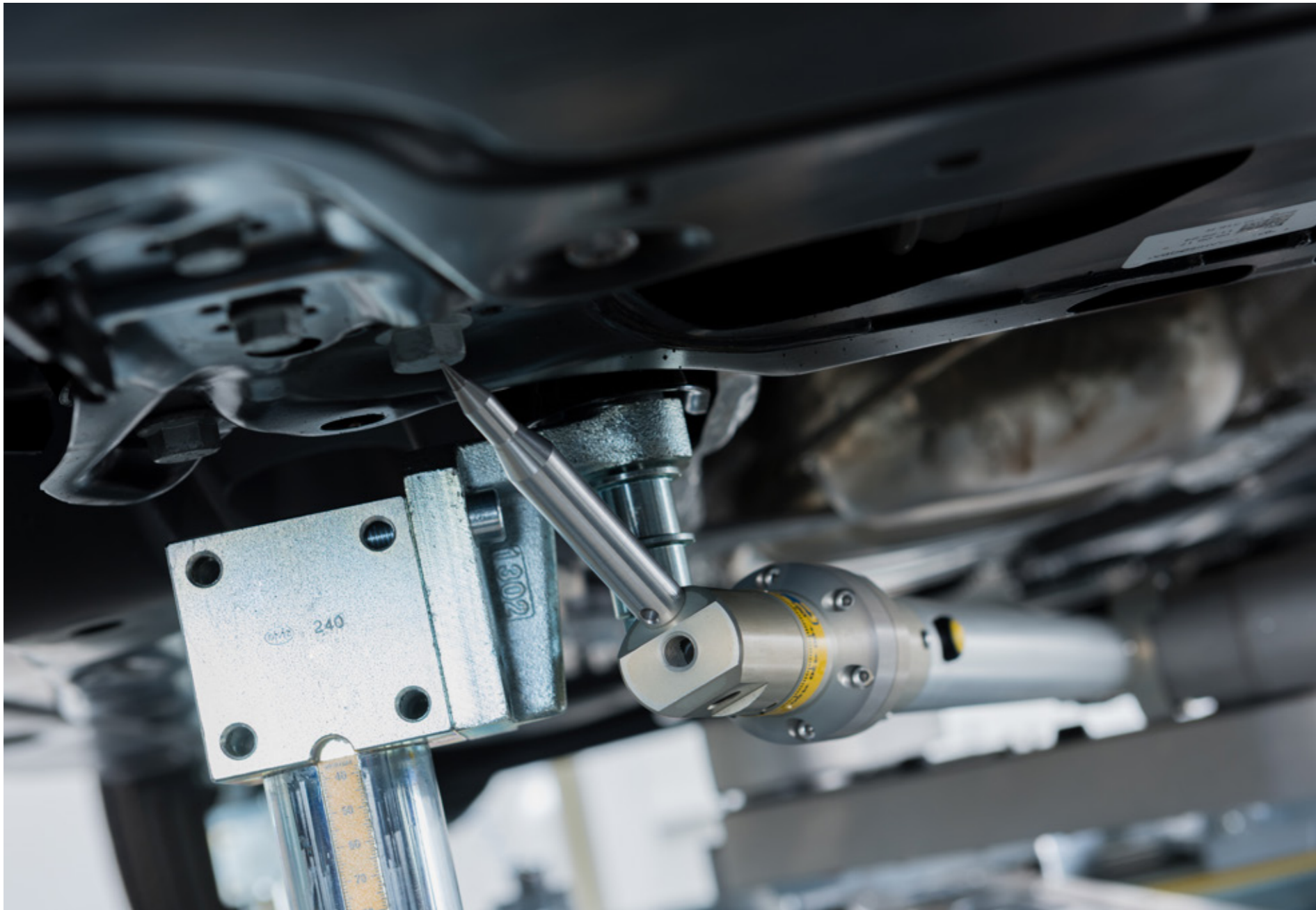
Repair with Touch

Combining the Touch with the Multibench will get a faster and more precise repairs.

Thanks to the innovative "Follow Me" system, the technician is guided, in real-time, during the pulling phases until the damaged points are correctly repositioned.

By pulling and measuring simultaneously, repair times and labour costs are significantly reduced, while vehicle touch-times are increased.





Repair with Touch and universal holding brackets

Universal holding brackets are solid attachment locations, in place of clamps, if it is not desired or possible to use the vehicle pinch welds.

Utilizing six bracket locations, two are attached to the front suspension and two are attached to the rear suspension. The remaining two holding locations are anchored in the front or the rear side members.

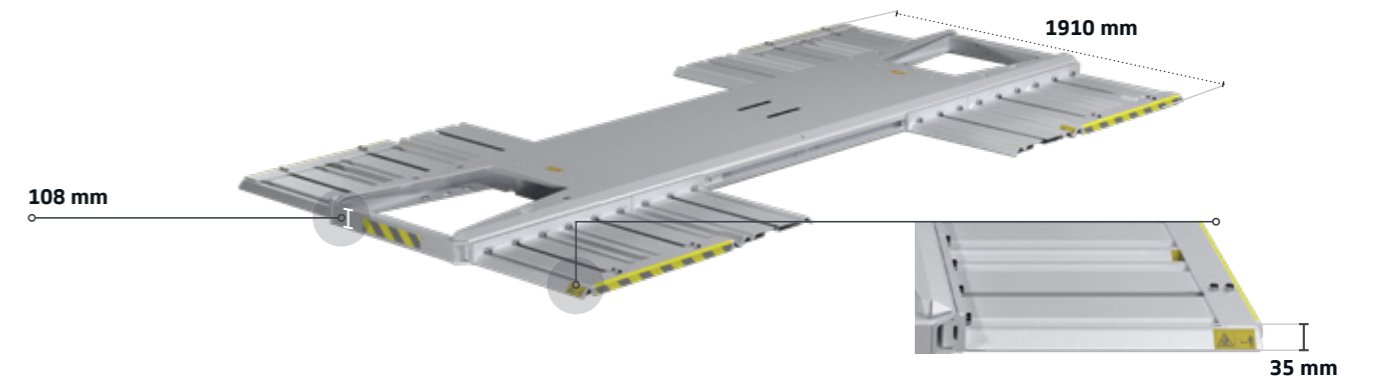
With the damaged points repaired, the Touch measures and produces a complete set of technical reports and repair documentation.



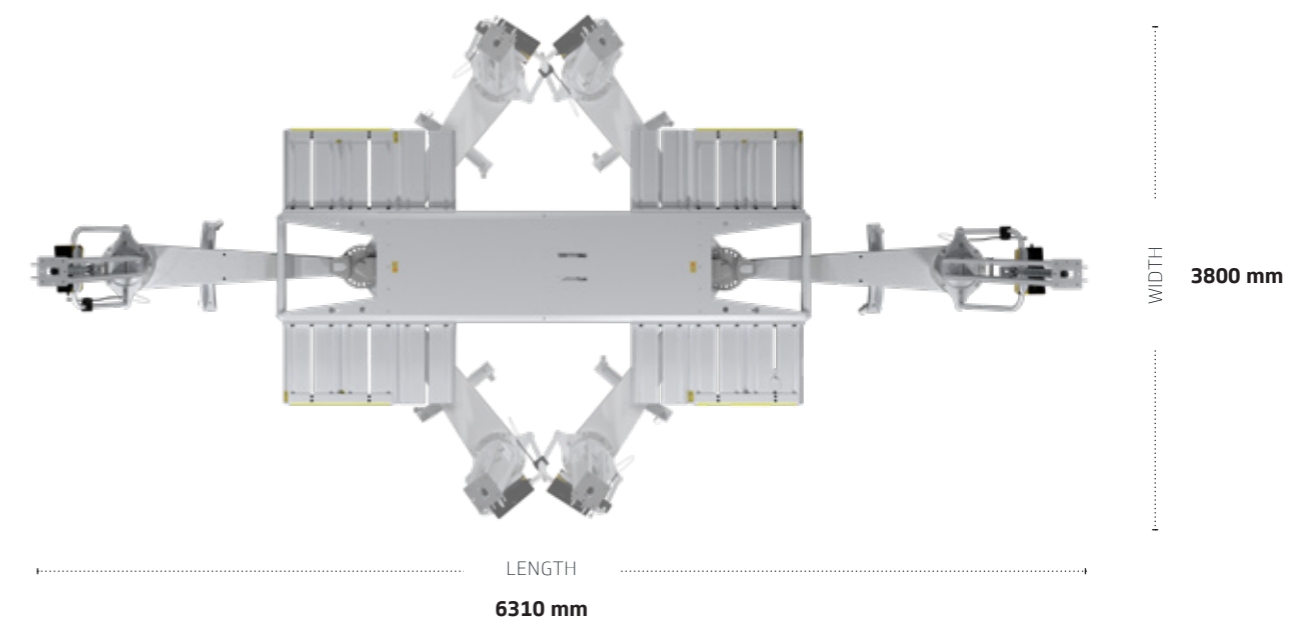
Multibench

Front and back pulling column insertion locations

LOAD CAPACITY	3200 kg
LENGTH	3720 mm
LIFTING HEIGHT	1520 mm
MINIMUM HEIGHT	108 mm
PULLING FORCE	10 Ton
BENCH WEIGHT	955 kg
PULLING COLUMN WEIGHT	172 kg
CONTROL BOX WEIGHT	50 kg

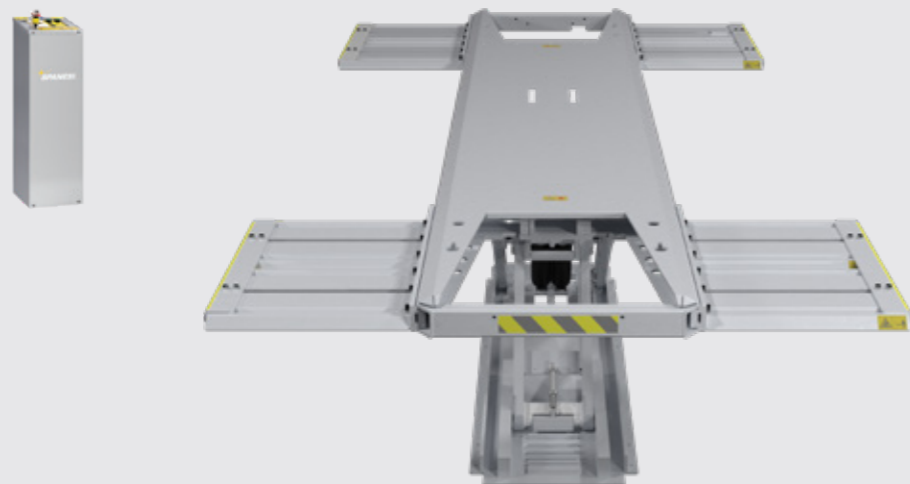


PULLING COLUMN FOOTPRINT



Package 1 - Lift

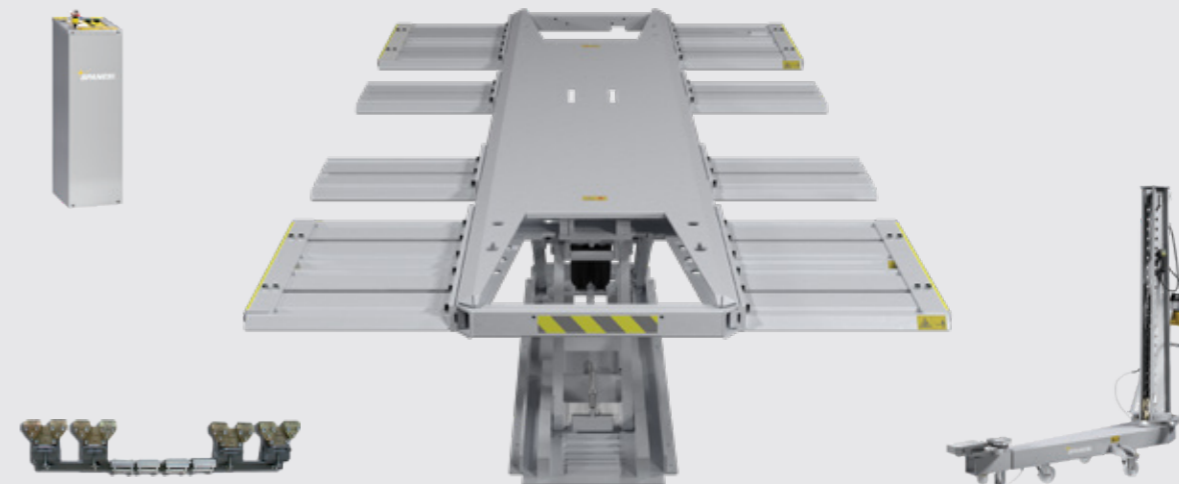
- 1 Bench with lift
- 1 Control box
- 8 Platforms



Package 3 - Repair

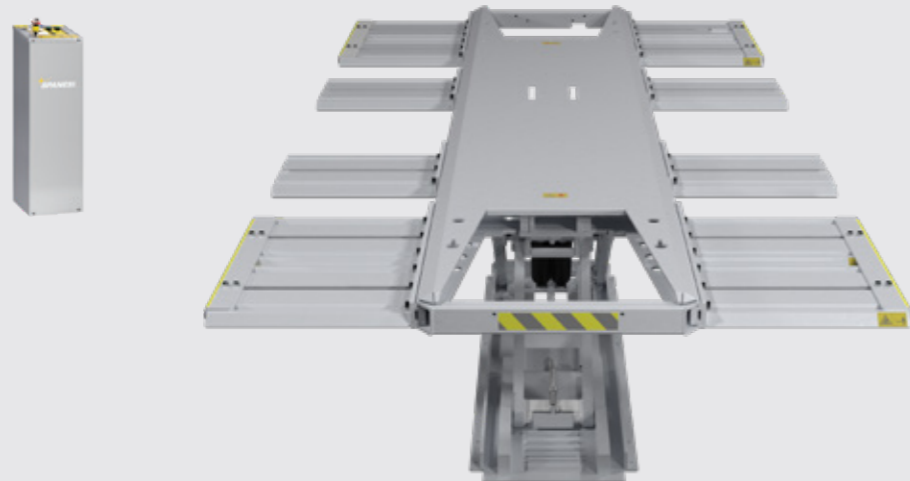
- 1 Bench with lift
- 1 Control box
- 12 Platforms

- 1 Pulling Column
- 1 Clamp kit with SUV extensions



Package 2 - Lift

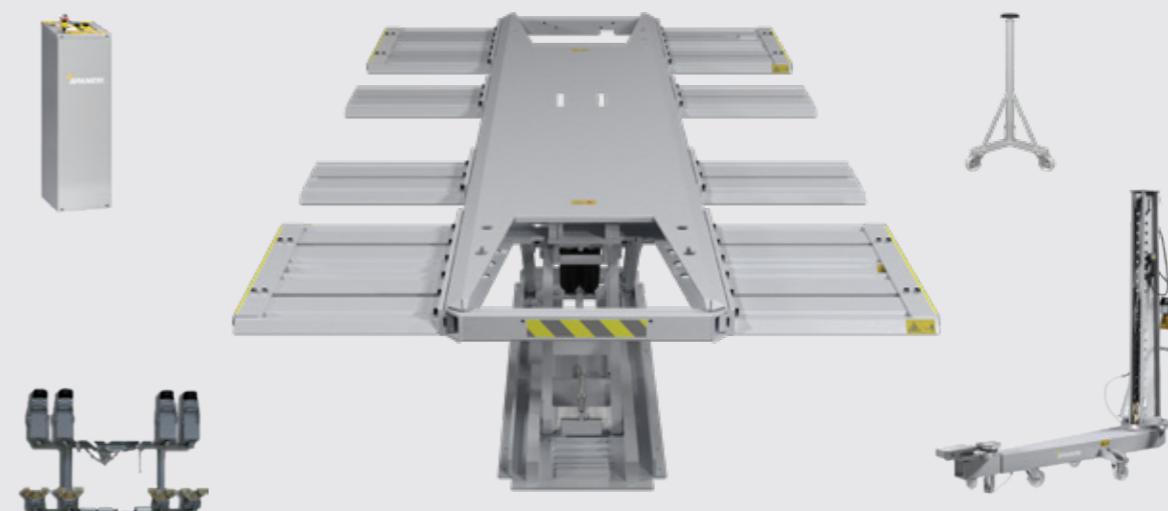
- 1 Bench with lift
- 1 Control box
- 12 Platforms



Package 4 - Repair with Touch

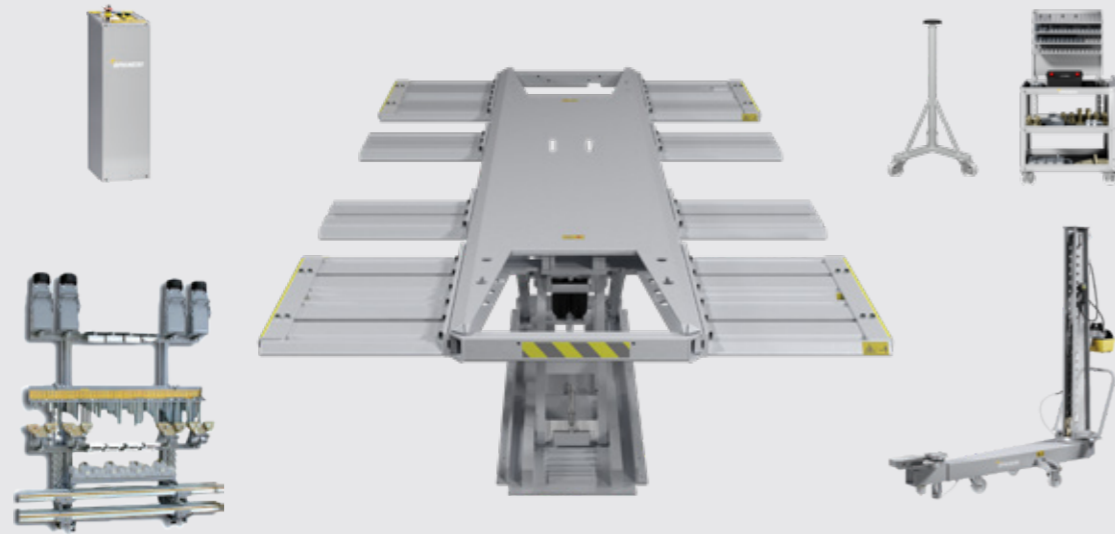
- 1 Bench with lift
- 1 Control box
- 12 Platforms
- 1 Kit of 4 stands (h.1250mm)

- 1 Pulling Column
- 1 Clamp kit with SUV extensions
- 1 High stirrups kit (for use with Touch)



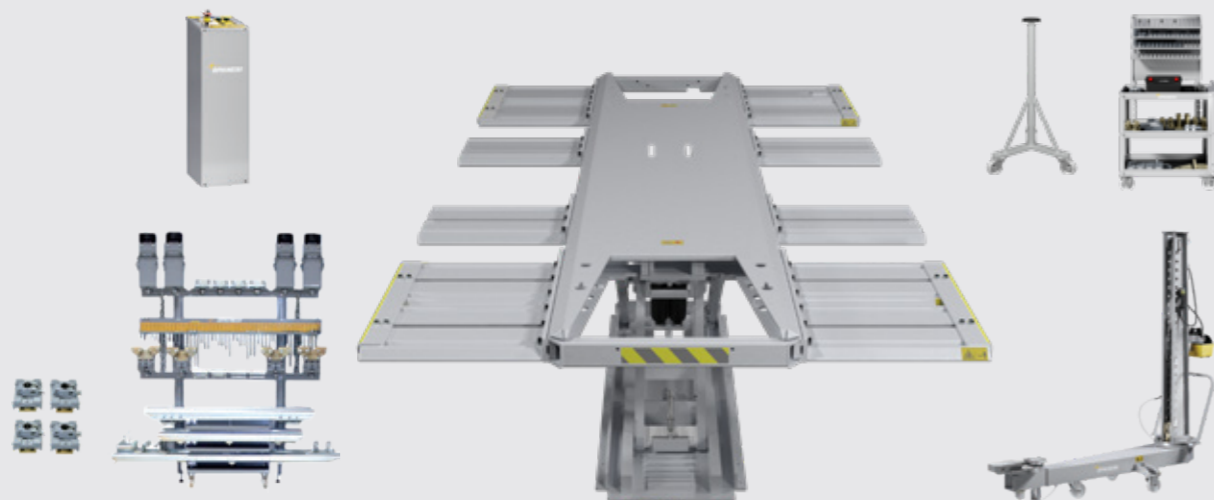
Package 5 - Repair with Touch and 4 universal holding brackets

- | | | |
|--------------------------|---|---------------------------------------|
| 1 Bench with lift | 1 Clamp kit with SUV extensions | 2 Crossbars (1800mm) |
| 1 Control box | 1 Set of hardened bolts | 1 Crossbar attachment brackets |
| 12 Platforms | 1 Kit of 4 stands (h.1250mm) | 4 Sliding bases |
| 1 Pulling Column | 1 High stirrups kit (for use with Touch) | 1 Universal bracket trolley |



Package 6 - Repair with Touch and universal holding system

- | | | |
|--------------------------|---|---|
| 1 Bench with lift | 1 Clamp kit with SUV extensions | 4 Sliding bases |
| 1 Control box | 1 Set of hardened bolts | 1 Universal bracket trolley |
| 12 Platforms | 1 Kit of 4 stands (h.1250mm) | 1 Crossbars kit (2-1400mm, 2-1190mm, 2-1875mm) |
| 1 Pulling Column | 1 High stirrups kit (for use with Touch) | |



Options



9000210B18
 (Package 1,2,3 only)
 Kit of 4 stands with 3 oversized wheels without floor locks
 h. 1250 and capacity 3000 kg



9000210B14
 Kit of 4 trolleys with 4 oversized wheels
 h. 1017 and capacity 3000 kg



90RINV03
 Down-pull adaptor



90KTRAV070
 (Package 6 only)
 Set of 4 460mm crossbars



90MINKIT31
 BMW holding kit for sedans and 4X4 vehicles



90KSFRM020
 Wheel stop kit



90INSER010
 Side pull adaptor



90KVASS020
 Shelving trays for trolleys



90KTRAV010
 Nissan-Renault holding kit



Spanesi S.p.A.

Via Praarie 56/II - 35010
Cavino di San Giorgio
delle Pertiche (PD)
Tel. +39 049 933 32 11
e-mail: info@spanesi.it